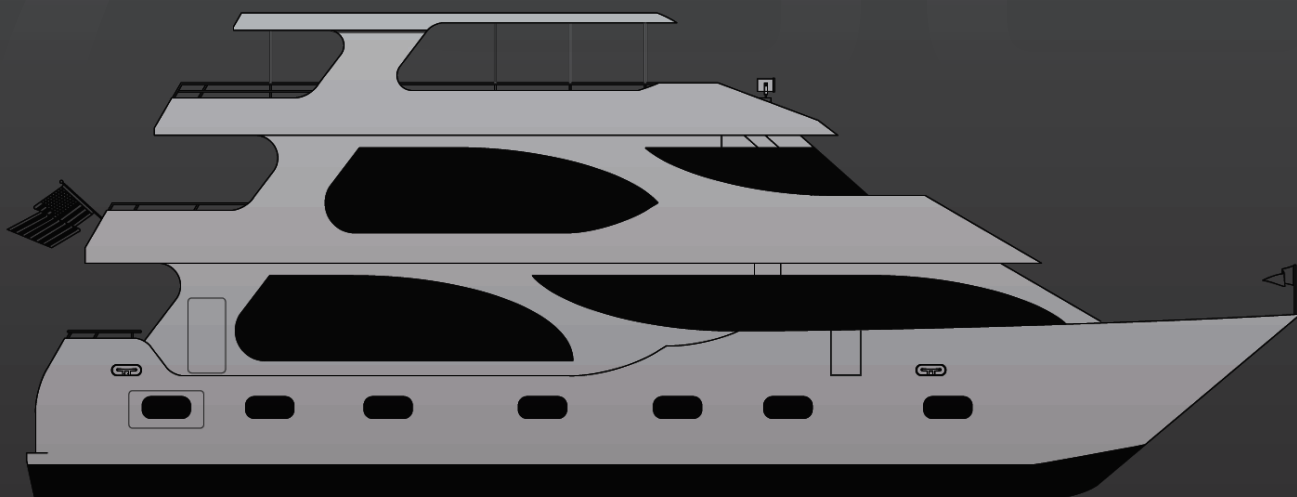


750

SKIPPERLINER
SUPER YACHT



— 850 750 1050 —

Experience the luxury and quality of our new Super Yacht class.

SkipperLiner designs and builds custom, distinctive motor yachts that have stood the test of time. We build to exceedingly high standards of quality, in terms of fit, finish, materials, systems and equipment. Generations of pride among SkipperLiner owners that they have the best in class and a well-proven resale value on the secondary market have served to create a highly recognized and respected brand.

The design/build process begins with an articulation of the Client's dream. Our designers and engineers translate that expression and explore the various possibilities. Our Project Managers ensure that the Client's ideas and desires are accurately interpreted and incorporated. Our shipbuilders and crafts people shape the concept into a unique, world-class creation.

Pride, passion and enthusiasm are what this team of trained professionals is all about and this becomes most obvious in the final product of their work. SkipperLiner is a world-class organization with an incredibly strong work ethic, a characteristic that is deeply rooted for generations within the SkipperLiner culture.

So where do we begin? We start with a clean sheet of paper, creating the vision and producing a masterpiece. Or, some Clients prefer our pre-engineered options and choose from one of our semi-custom Super Yacht models. Either way, your SkipperLiner will be an experience in luxury and quality...a truly super lifestyle for years to come.

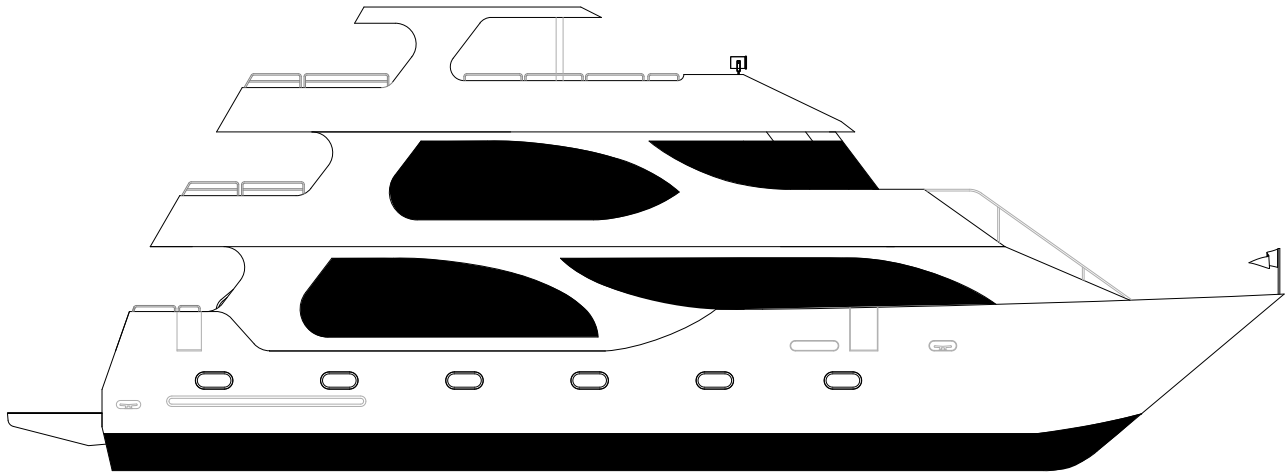
SKIPPERLINER SUPER YACHT 750

LENGTH OVERALL	75 FEET, 0 INCHES
HULL BREADTH	22 FEET, 0 INCHES
HULL DEPTH	8 FEET, 0 INCHES
MOLDED DRAFT	2 FEET, 9 INCHES
CLEARANCE DRAFT	4 FEET, 3 INCHES
ENGINES	575 HP CATERPILLAR C9 ACERT W/ DIRECT DRIVE (2)
GENERATOR (1)	76 KW CATERPILLAR C4.4 W/ SOUND ENCLOSURE
GENERATOR (2)	58 KW CATERPILLAR C4.4 W/ SOUND ENCLOSURE
BOW THRUSTER	60 HP WESMAR HYDRAULIC
HVAC	25 TON CRUISAIR CHILLED WATER SYSTEM
ACCOMMODATIONS	14 PERSONS IN 6 CABINS
CONSTRUCTION	ALUMINUM HULL & SUPERSTRUCTURE
MARINE DESIGN	DEJONG & LEBET/SKIPPERLINER DESIGN TEAM

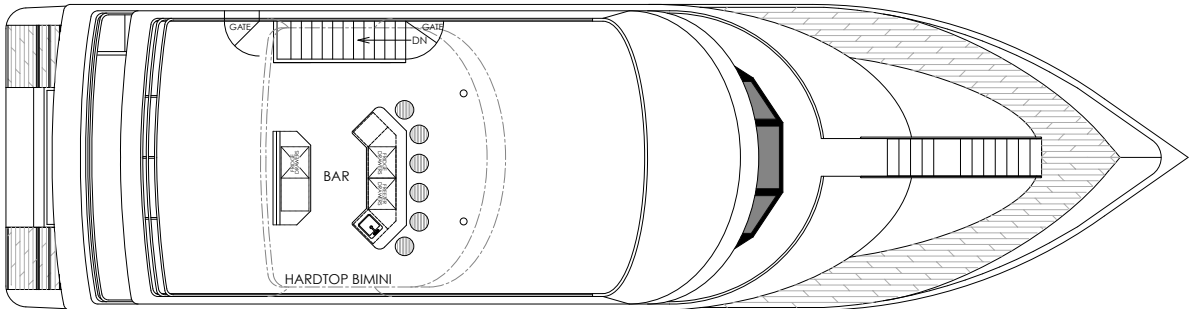
— 850 750 1050 —

4 Decks w/ Panoramic Views
Lazarette Toy Garage w/ Launch System
Automatic Fold Down Swim & Dock Platform
Authentic Interior Teak Wood Deck Sole

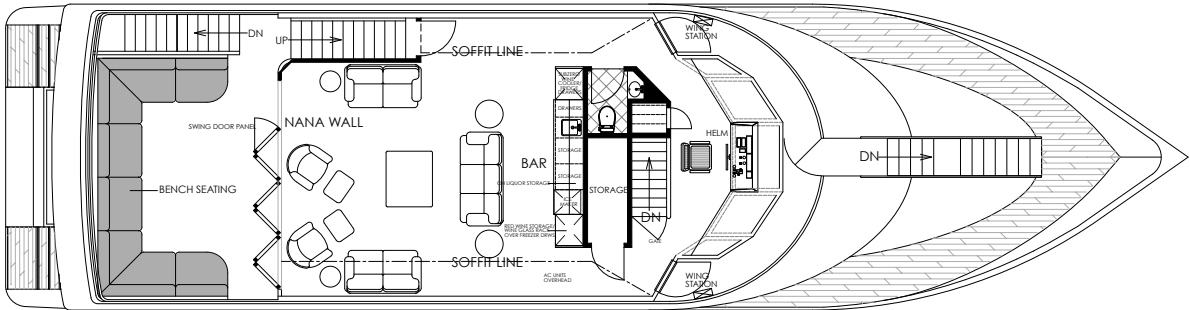
Custom Insulated Glass Package Throughout
Portuguese Style Wing Stations
Automatic Marquipt Bow Boarding Stair
AwlGrip Paint Coating Package



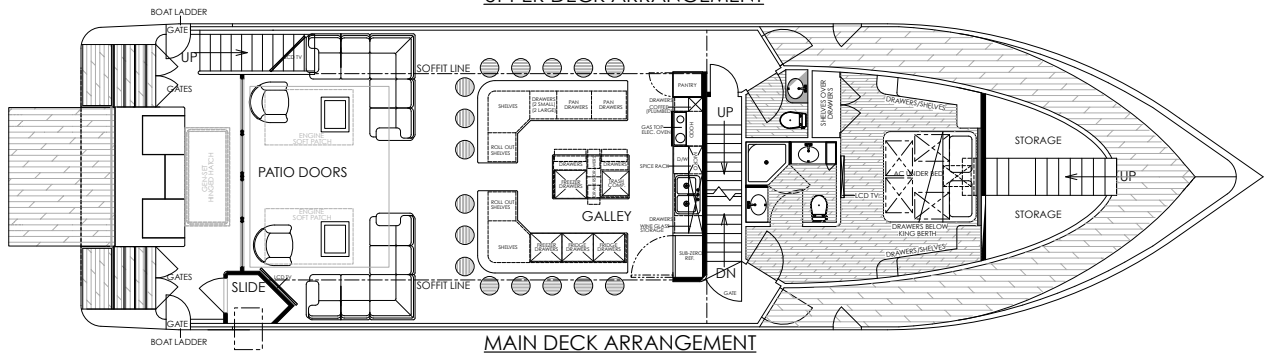
STARBOARD PROFILE



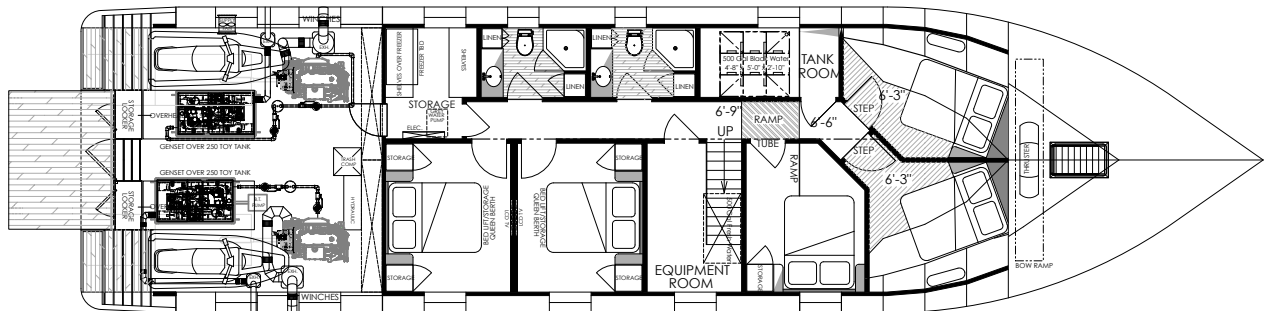
SUNDECK ARRANGEMENT



UPPER DECK ARRANGEMENT



MAIN DECK ARRANGEMENT



LOWER DECK ARRANGEMENT

SKIPPERLINER SUPER YACHT